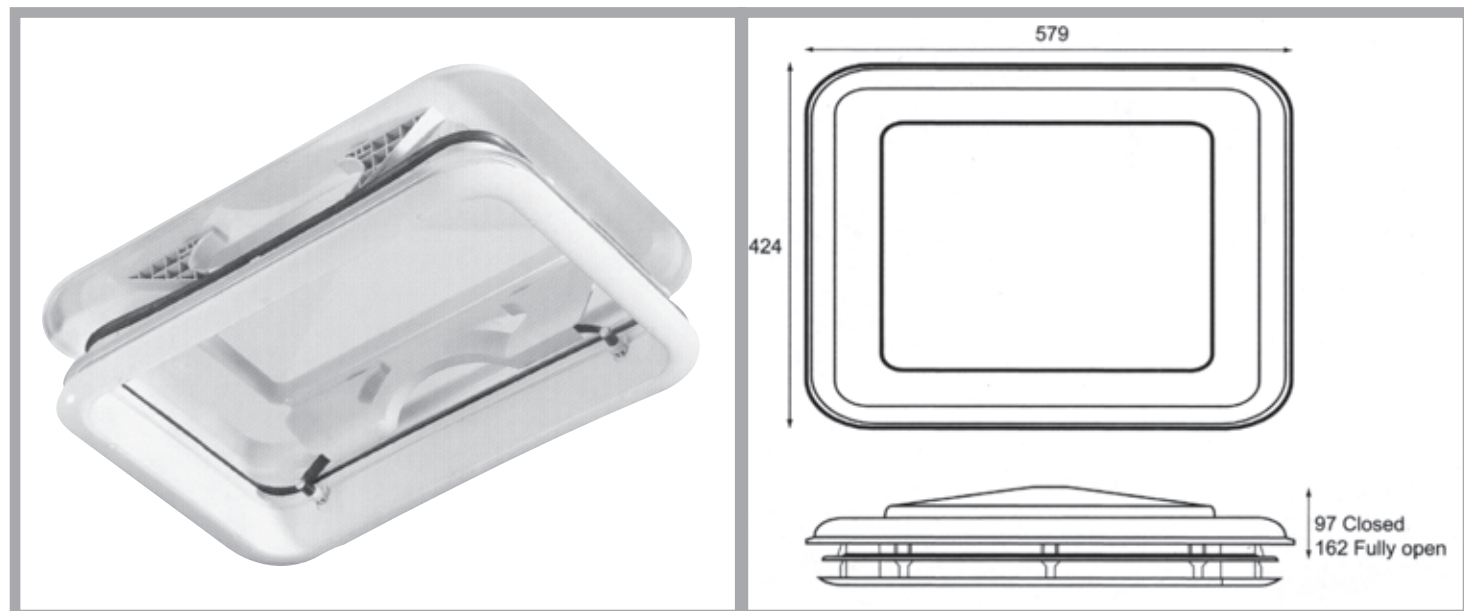


<u>Dakluiken</u>	<u>Dachluken</u>	<u>Roof Hatches</u>
	500 x 350	



TECHNICAL DETAILS

Part. Nr.	Description	Aperture Size	Colour Mechanism	Colour Dome	Radius
90-1000	Roof Hatch	500 x 350	Light Grey	Opal Polycarbonate	R50
90-1010	Roof Hatch	500 x 350	Light Grey	Bronze Polycarbonate	R50
90-1050	Roof Hatch	500 x 350	Dark Grey	Opal Polycarbonate	R50
90-1060	Roof Hatch	500 x 350	Dark Grey	Bronze Polycarbonate	R50

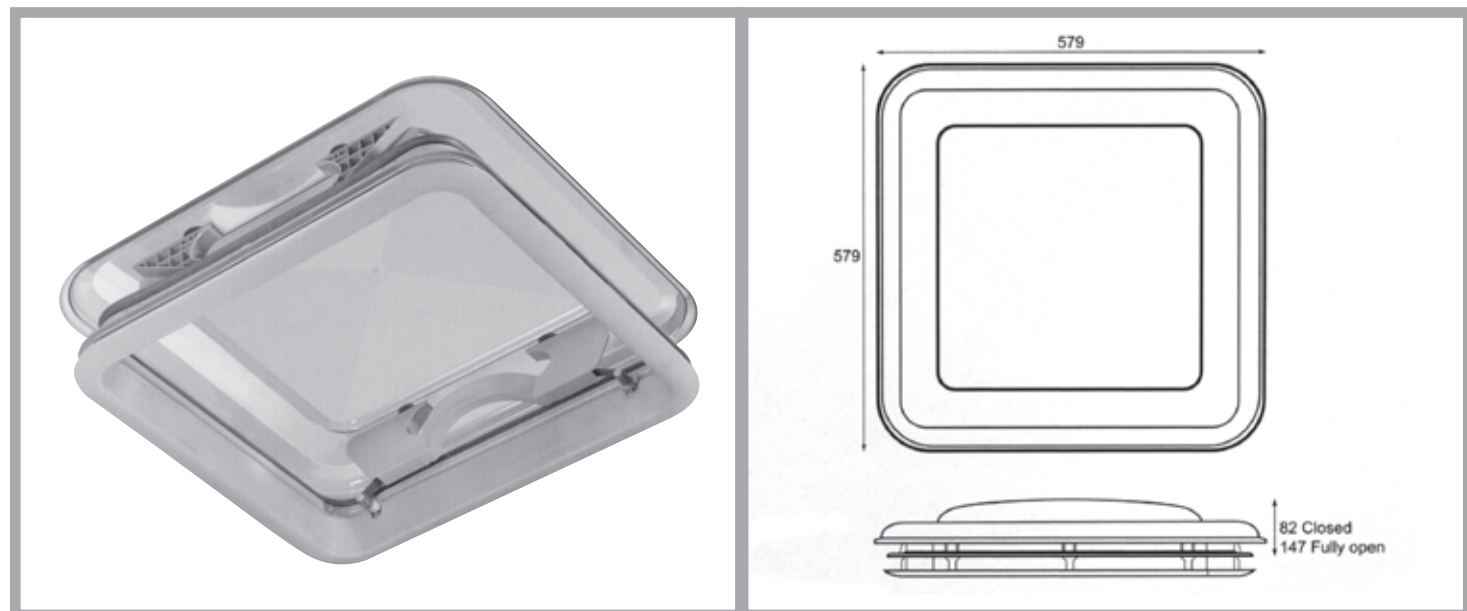
Remarks: Suits roof thickness 22 mm - 65 mm

TECHNISCHE VERANDERINGEN VOORBEHOUDEN!

TECHNISCHE ANDERUNGEN VORBEHALTEN!

TECHNICAL CHANGES RESERVED!

<u>Dakluiken</u>	<u>Dachluken</u>	<u>Roof Hatches</u>
	500 x 500	

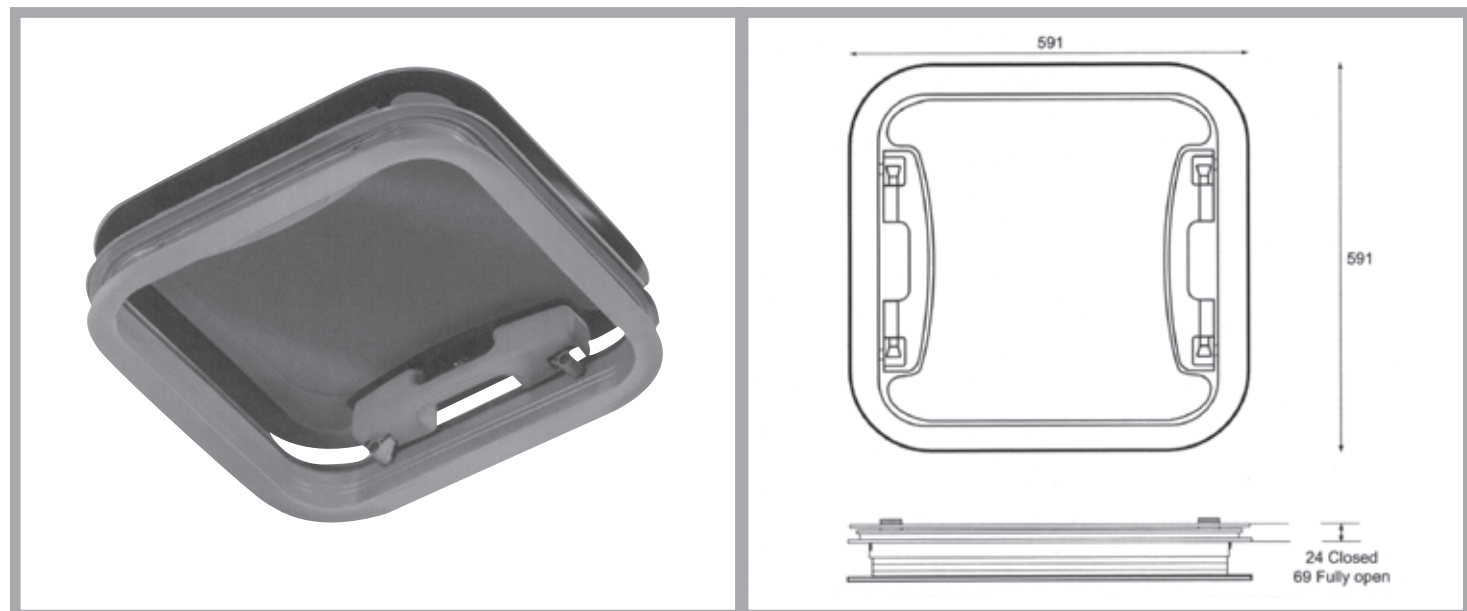


TECHNICAL DETAILS

Part. Nr.	Description	Aperture Size	Colour Mechanism	Colour Dome	Radius
90-1100	Roof Hatch	500 x 500	Light Grey	Opal Polycarbonate	R50
90-1110	Roof Hatch	500 x 500	Light Grey	Bronze Polycarbonate	R50
90-1150	Roof Hatch	500 x 500	Dark Grey	Opal Polycarbonate	R50
90-1160	Roof Hatch	500 x 500	Dark Grey	Bronze Polycarbonate	R50

Remarks: Suits roof thickness 22 mm - 65 mm

Dakluiken	Dachluken	Roof Hatches
	530 x 530	

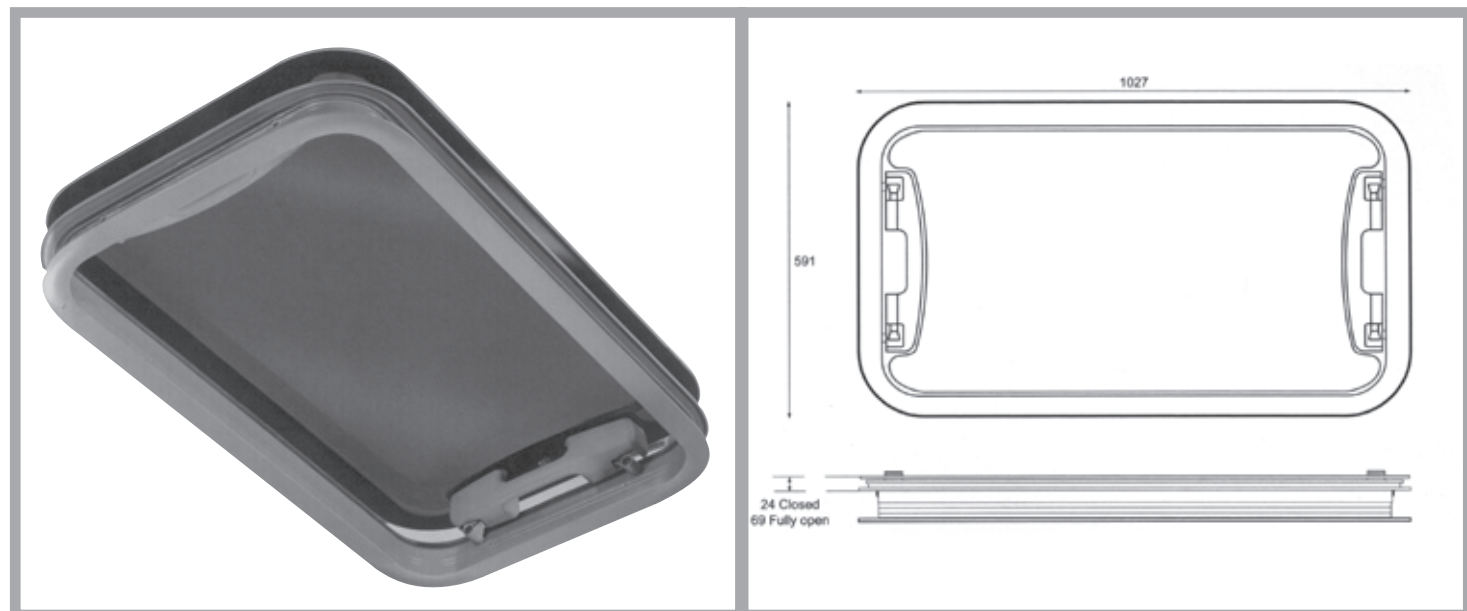


TECHNICAL DETAILS

Part. Nr.	Description	Aperture Size	Colour Mechanism	Colour Dome	Radius	Remarks
90-1200	Roof Hatch	530 x 530	Aluminium Dark Grey	Grey Tinted Glass	R80	
90-1200-E	Roof Hatch Electric	530 x 530	Aluminium Dark Grey	Grey Tinted Glass	R80	Electrical

Remarks: Suits roof thickness 29 mm - 70 mm

<u>Dakluiken</u>	<u>Dachluken</u>	<u>Roof Hatches</u>
	970 x 530	

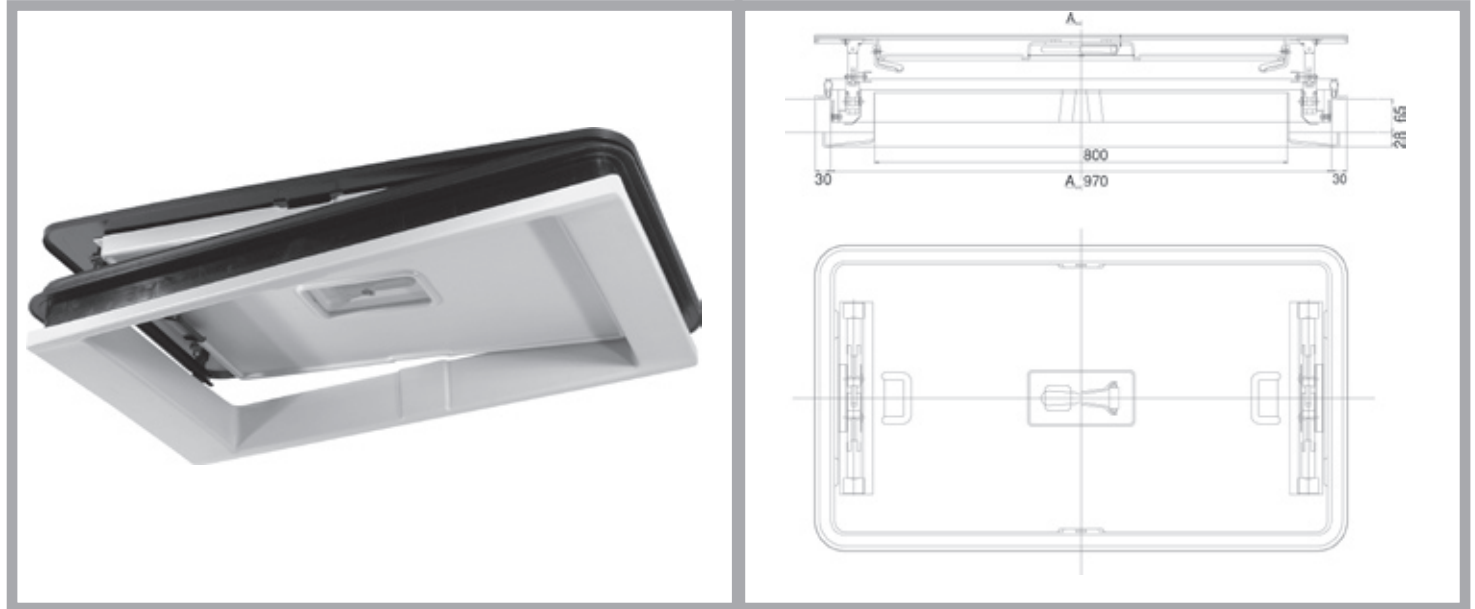


TECHNICAL DETAILS

Part. Nr.	Description	Aperture Size	Colour Mechanism	Colour Dome	Radius	Remarks
90-1250	Emergency Escape Roof Hatch With Breakglass Hammer	970 x 530	Aluminium Dark Grey	Grey Tinted Glass	R80	
90-1250-E	Roof Hatch Electric With Breakglass Hammer	970 x 530	Aluminium Dark Grey	Grey Tinted Glass	R80	Electrical

Remarks: Suits roof thickness 29 mm - 70 mm

<u>Dakluiken</u>	<u>Dachluiken</u>	<u>Roof Hatches</u>
	970 x 530	



TECHNICAL DETAILS

Part. Nr.	Description	Aperture Size
90-4100	Roof Hatch Manual on two sides	970 x 530 mm
90-4110	Roof Hatch Electric on one side 12 Volt and manual on one side	970 x 530 mm
90-4115	Roof Hatch Electric on one side 24 Volt and manual on one side	970 x 530 mm
90-4120	Roof Hatch Electric on two sides 12 Volt	970 x 530 mm
90-4125	Roof Hatch Electric on two sides 24 Volt	970 x 530 mm

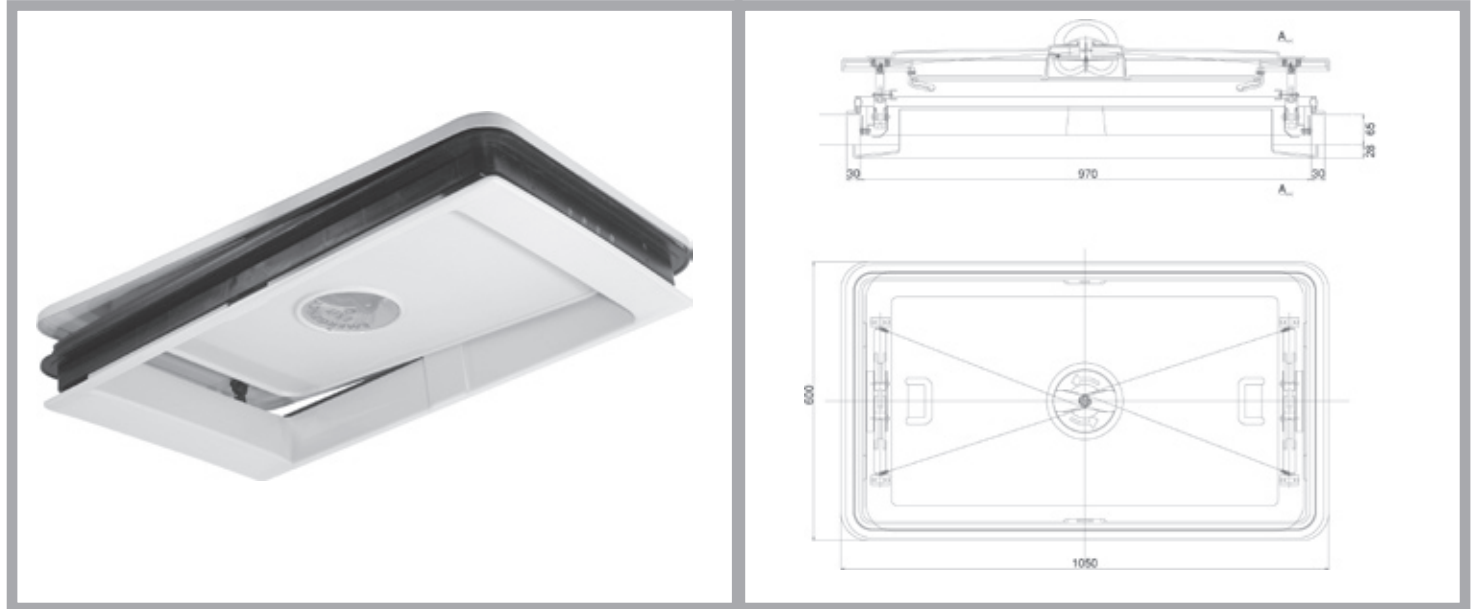
- Emergency exit according EC2001/85
- Glass Dome homologated ECE 43R
- Athermic Glass (only 10% heat transmission and 25% light transmission)
- Standard version with ABS tray under the glass pane
- Available without ABS tray
- Assembly frame in plastic materials and steel inserts
- Activation arms in injected technopolymers and galvanised steel
- High quality rubber gaskets
- Homologated according EC 95/28 and 95/54
- Electric motor reducer at 12V or 24V controlled by a microprocessor
- Automatic closing at engine stop (Electric Version)

TECHNISCHE VERANDERINGEN VOORBEHOUDEN!

TECHNISCHE ANDERUNGEN VORBEHALTEN!

TECHNICAL CHANGES RESERVED!

<u>Dakluiken</u>	<u>Dachluiken</u>	<u>Roof Hatches</u>
	970 x 530	



TECHNICAL DETAILS

Part. Nr.	Description	Aperture Size
90-4200	Roof Hatch Manual on two sides	970 x 530 mm
90-4210	Roof Hatch Electric on one side 12 Volt and manual on one side	970 x 530 mm
90-4215	Roof Hatch Electric on one side 24 Volt and manual on one side	970 x 530 mm
90-4220	Roof Hatch Electric on two sides 12 Volt	970 x 530 mm
90-4225	Roof Hatch Electric on two sides 24 Volt	970 x 530 mm

- Emergency exit according EC2001/85
- Dome in UV protected ABS
- Ejection by central emergency handle
- Assembly frame in plastic materials and steel inserts
- Activation arms in injected technopolymers and galvanised steel
- High quality rubber gaskets
- Optional Acoustic alarm signalling un-allowed emergency exit activation
- Optional blinking alarm on dashboard signalling un-allowed emergency exit activation
- Homologated according EC 95/28 and 95/54
- Electric motor reducer at 12V or 24V controlled by a microprocessor
- Automatic closing at engine stop (Electric Version)

TECHNISCHE VERANDERINGEN VOORBEHOUDEN!

TECHNISCHE ANDERUNGEN VORBEHALTEN!

TECHNICAL CHANGES RESERVED!



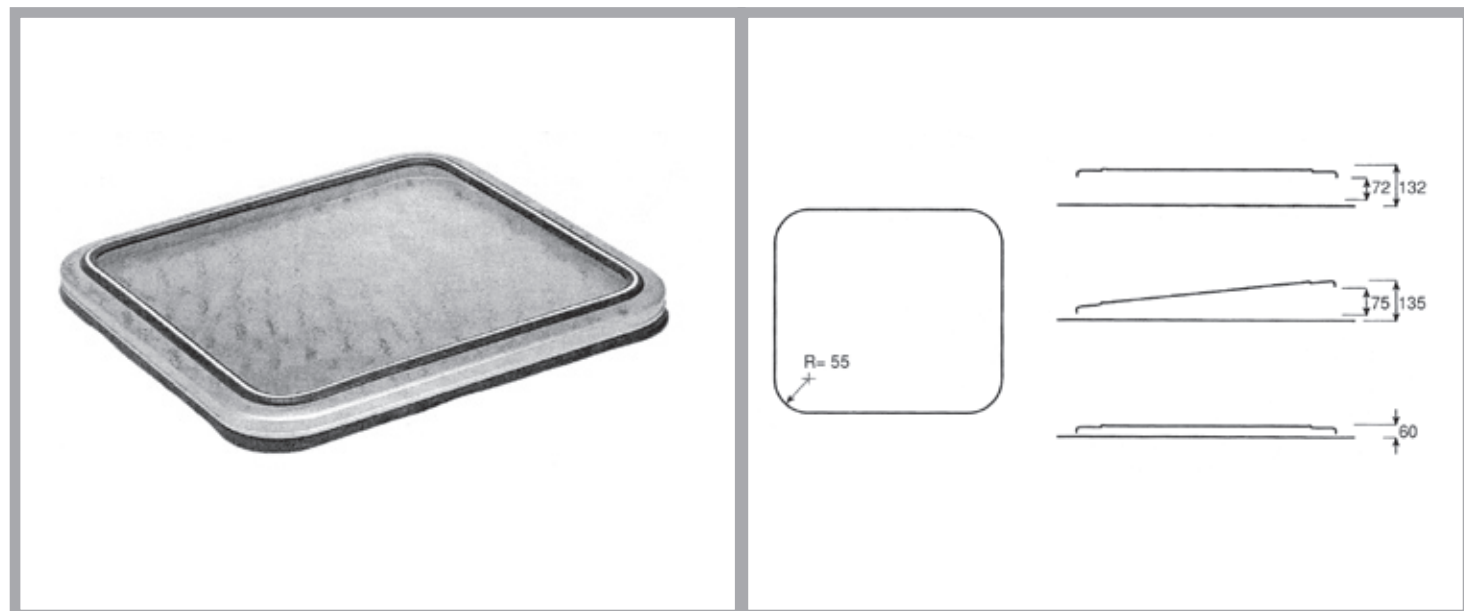
G&C Systems B.V.
Kazemat 7
3905 NR VEENENDAAL
The Netherlands

Phone: +31 (0)318 576744
Fax: +31 (0)318 576733
Internet: www.gnc-systems.com
E-mail: info@gnc-systems.com

Dakluiken / Dachluiken / Roof Hatches

Hoofdstuk 6.6

<u>Dakluiken</u>	<u>Dachluken</u>	<u>Roof Hatches</u>
	Min. 510 x 510	



TECHNICAL DETAILS

Part. Nr.	Description	Aperture Size
90-4820	Roof Hatch Glass Dome (Manual ventilation arms on two sides)	Min. 510 x 510 mm
90-4830	Roof Hatch Dome in anodised aluminium (Manual ventilation arms on two sides)	Min. 510 x 510 mm

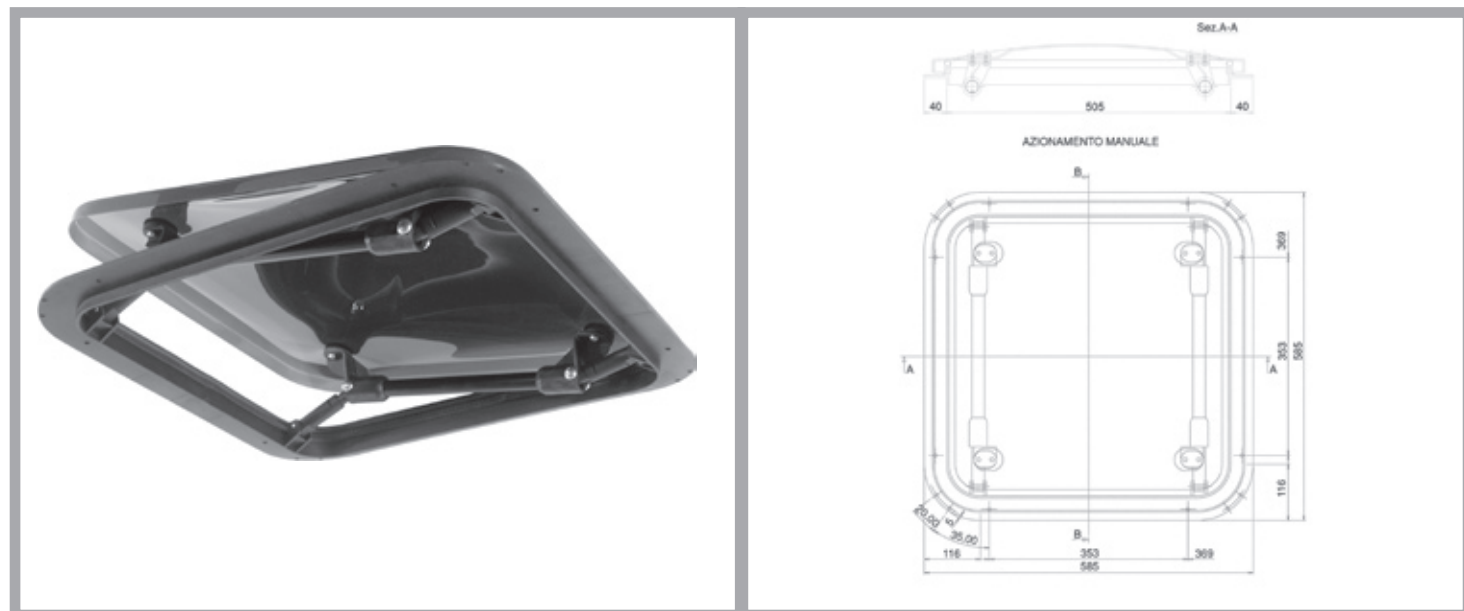
- Roof-aperture dimension on demand
- Minimum roof-aperture dimension 510 x 510 mm
- Activation arms in injected technopolymers and galvanised steel
- Double seal rubber gaskets

TECHNISCHE VERANDERINGEN VOORBEHOUDEN!

TECHNISCHE ANDERUNGEN VORBEHALTEN!

TECHNICAL CHANGES RESERVED!

Dakluiken	Dachluiken	Roof Hatches
	355 x 355 mm 355 x 505 mm 505 x 505 mm	



TECHNICAL DETAILS

Part. Nr.	Description	Aperture Size
90-4400	Roof Hatch 355 x 355 mm manual	355 x 355 mm
90-4410	Roof Hatch 355 x 505 mm manual	355 x 505 mm
90-4420	Roof Hatch 505 x 505 mm manual	505 x 505 mm

- Manual ventilation-opening on four sides
- Dome in thermoformed metacrylate
- Assembly frame in injected technopolymers
- Activation arms in injected technopolymers
- Double seal rubber gaskets

TECHNISCHE VERANDERINGEN VOORBEHOUDEN!

TECHNISCHE ANDERUNGEN VORBEHALTEN!

TECHNICAL CHANGES RESERVED!



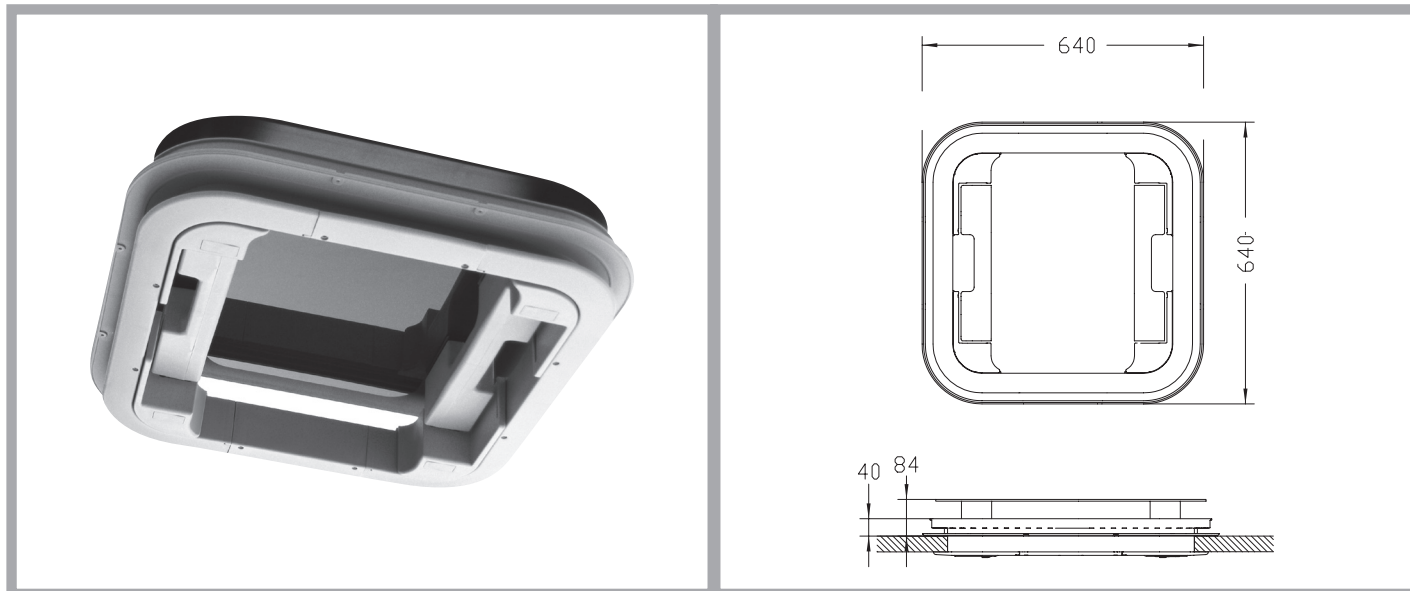
G&C Systems B.V.
Kazemat 7
3905 NR VEENENDAAL
The Netherlands

Phone: +31 (0)318 576744
Fax: +31 (0)318 576733
Internet: www.gnc-systems.com
E-mail: info@gnc-systems.com

Dakluiken / Dachluiken / Roof Hatches

Hoofdstuk 6.9

<u>Dakluiken</u>	<u>Dachluken</u>	<u>Roof Hatches</u>
	530 x 530	Manual



TECHNICAL DETAILS

Part. Nr.	Description	Aperture Size	Radius	Remarks
90-5000	Roof Hatch Manual	530 ⁺⁵ ₋₀ x 530 ⁺⁵ ₋₀	R80	UV Transmission 19%, Heat Transmission 60%, Light Transmission 48%
90-5000-DARK	Roof Hatch Manual Dark Glass	530 ⁺⁵ ₋₀ x 530 ⁺⁵ ₋₀	R80	UV Transmission 6%, Heat Transmission 16%, Light Transmission 17%

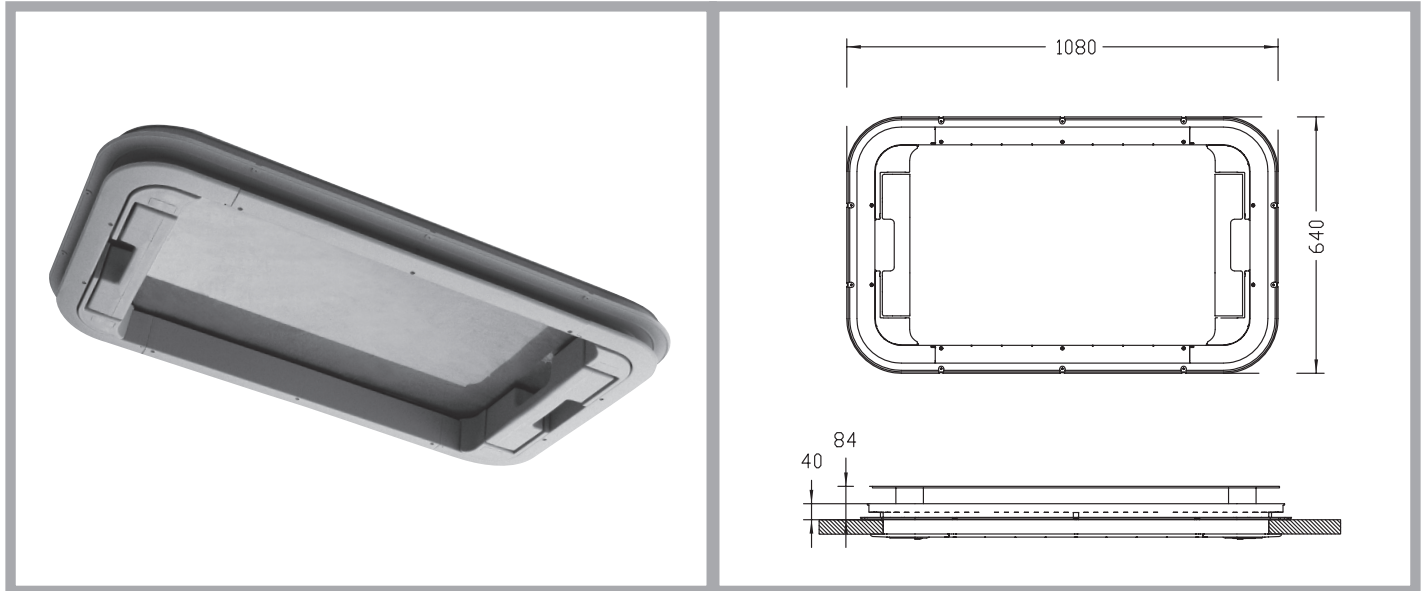
- Glass Dome homologated ECE 43R
- Suits roof thickness 30mm - 70mm
- High Quality Gaskets
- Internal frame easy to mount in outside frame
- Pre-drilled mounting holes in outside frame

TECHNISCHE VERANDERINGEN VOORBEHOUDEN!

TECHNISCHE ANDERUNGEN VORBEHALTEN!

TECHNICAL CHANGES RESERVED!

<u>Dakluiken</u>	<u>Dachluken</u>	<u>Roof Hatches</u>
	970 x 530	Manual



TECHNICAL DETAILS

Part. Nr.	Description	Aperture Size	Radius	Remarks
90-6000	Roof Hatch Manual	970 ⁺¹⁰ ₋₀ x 530 ⁺⁵ ₋₀	R80	UV Transmission 19%, Heat Transmission 60%, Light Transmission 48%
90-6000-DARK	Roof Hatch Manual Dark Glass	970 ⁺¹⁰ ₋₀ x 530 ⁺⁵ ₋₀	R80	UV Transmission 6%, Heat Transmission 16%, Light Transmission 17%

- Emergency exit according EC2001/85
- Glass Dome homologated ECE 43R
- Suits roof thickness 30mm - 70mm
- High Quality Gaskets
- Internal frame easy to mount in outside frame
- Pre-drilled mounting holes in outside frame

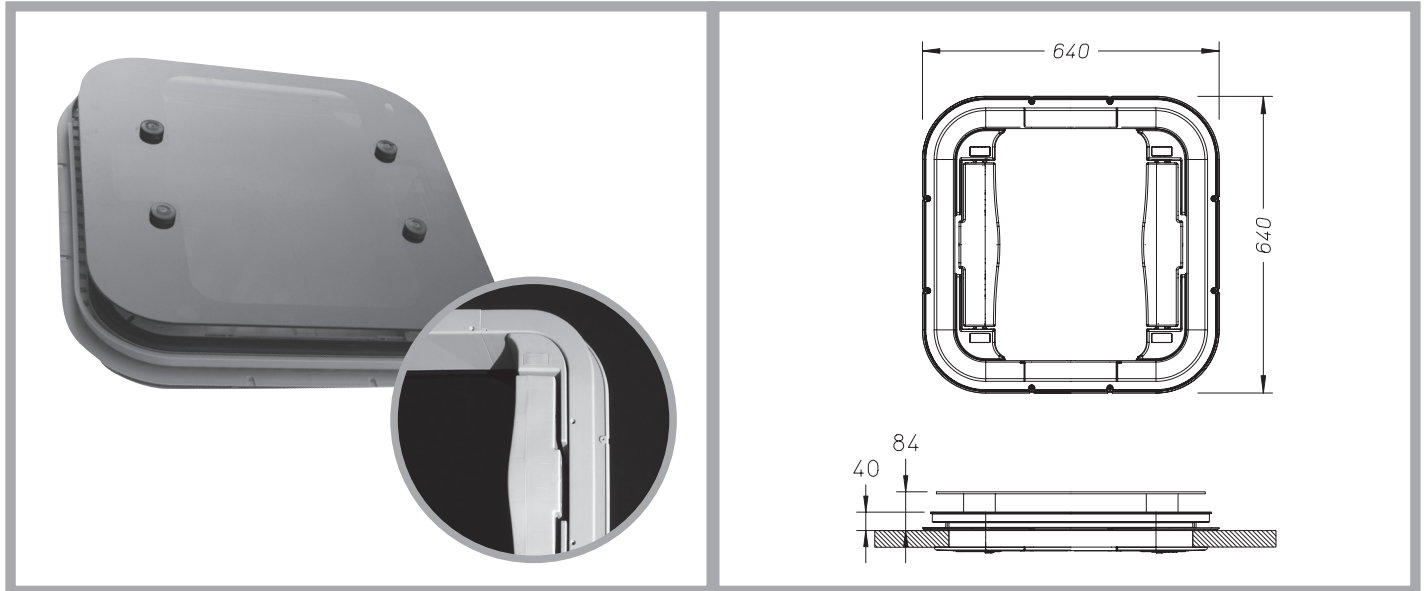
TECHNISCHE VERANDERINGEN VOORBEHOUDEN!

TECHNISCHE ANDERUNGEN VORBEHALTEN!

TECHNICAL CHANGES RESERVED!

<u>Dakluiken</u>	<u>Dachluken</u>	<u>Roof Hatches</u>
	530 x 530	Electric

EMC APPROVED



TECHNICAL DETAILS

Part. Nr.	Description	Aperture Size	Radius	Remarks
90-5000-E	Roof Hatch Electric 24 Volt*	530 ⁺⁵ x 530 ⁺⁵	R80	UV Transmission 6%, Heat Transmission 16%, Light Transmission 17%

* For 12 Volt application, use our 12V to 24V Converter (89-STEP12-24)

- Glass Dome homologated ECE 43R
- Dark tinted glass
- Homologated according EC 2004/104
- Suits roof thickness 30mm - 70mm
- High Quality Gaskets
- Internal frame easy to mount in outside frame
- Pre-drilled mounting holes in outside frame

*** Use always our control unit 30-6000 in combination with the electric roofhatch!**

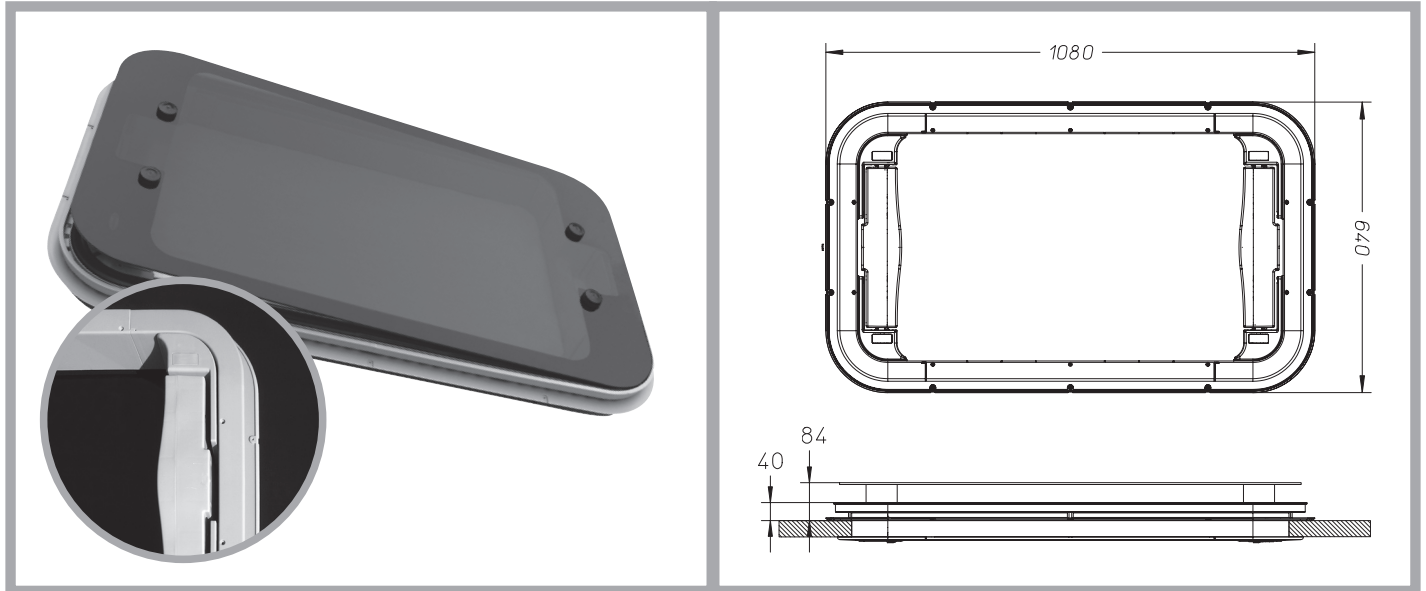
TECHNISCHE VERANDERINGEN VOORBEHOUDEN!

TECHNISCHE ANDERUNGEN VORBEHALTEN!

TECHNICAL CHANGES RESERVED!

<u>Dakluiken</u>	<u>Dachluken</u>	<u>Roof Hatches</u>
	970 x 530	Electric

EMC APPROVED



TECHNICAL DETAILS

Part. Nr.	Description	Aperture Size	Radius	Remarks
90-6000-E	Roof Hatch Electric 24 Volt*	970 ⁺¹⁰ x 530 ⁺⁵	R80	UV Transmission 6%, Heat Transmission 16%, Light Transmission 17%

* For 12 Volt application, use our 12V to 24V Converter (89-STEP12-24)

- Emergency exit according EC2001/85
- Glass Dome homologated ECE 43R
- Standard Dark tinted glass
- Homologated according EC 2004/104
- Suits roof thickness 30mm - 70mm
- High Quality Gaskets
- Internal frame easy to mount in outside frame
- Pre-drilled mounting holes in outside frame

*** Use always our control unit 30-6000 in combination with the electric roofhatch!**

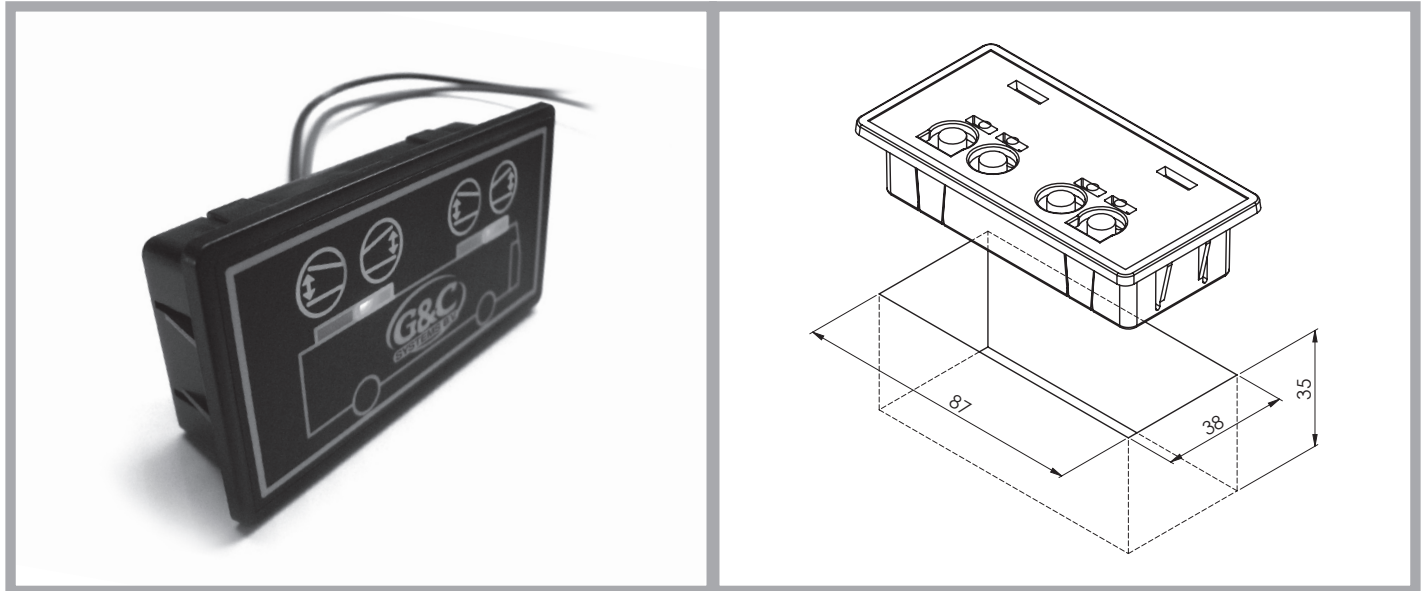
TECHNISCHE VERANDERINGEN VOORBEHOUDEN!

TECHNISCHE ANDERUNGEN VORBEHALTEN!

TECHNICAL CHANGES RESERVED!

<u>Dakluik Besturing</u>	<u>Elektronisch Bedienteil für Dachluke</u>	<u>Roofhatch control unit</u>

EMC APPROVED



TECHNICAL DETAILS

Part. Nr.	Description	Voltage	Outside Dimensions	Remarks
30-6000	Control Unit 24V for Electric Roofhatch	24 Volt*	96 x 49 x 28 mm	

* For 12 Volt application, use our 12V to 24V Converter (89-STEP12-24)

- Homologated according EC 2004/104
- The unit 30-6000 can control one or two electrical operated roof hatches
- To open/close front and backside of the roofhatch
- The position of the dome can be seen on the display (green Led's)
- The unit closes automatically when the ignition key is turned off
- Even when the ignition key is off, the hatch can be opened for ventilation
- The panel display has a current save function, reacting to usage
- Illumination with Orange Led's for the push buttons

TECHNISCHE VERANDERINGEN VOORBEHOUDEN!

TECHNISCHE ANDERUNGEN VORBEHALTEN!

TECHNICAL CHANGES RESERVED!



G&C Systems B.V.
Kazemat 7
3905 NR VEENENDAAL
The Netherlands

Phone: +31 (0)318 576744
Fax: +31 (0)318 576733
Internet: www.gnc-systems.com
E-mail: info@gnc-systems.com

Dakluiken / Dachluken / Roof Hatches

Hoofdstuk 6.14